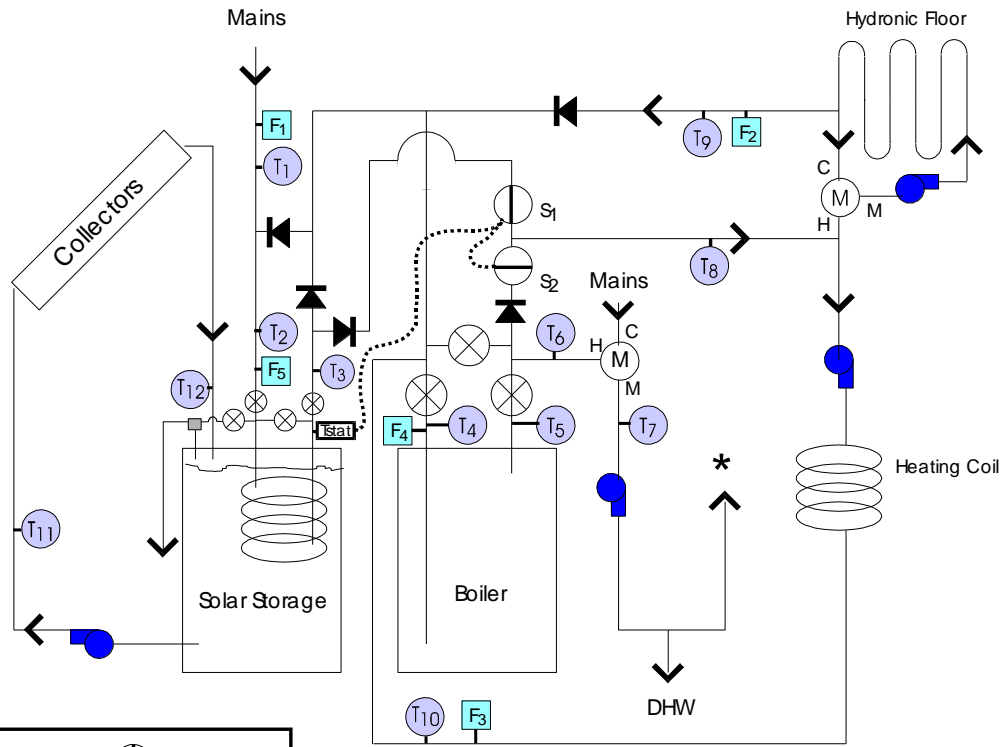


	Temperature Sensor		Solenoid Valve
	Flow Meter		Mixing Valve
	Check Valve		Ball Valve
	Flow Direction		

* Return through cold water lines



T_1	Temperature Sensor		Solenoid Valve
F_1	Flow Meter	M	Mixing Valve
	Check Valve		Ball Valve
	Flow Direction		

* Return through cold water lines